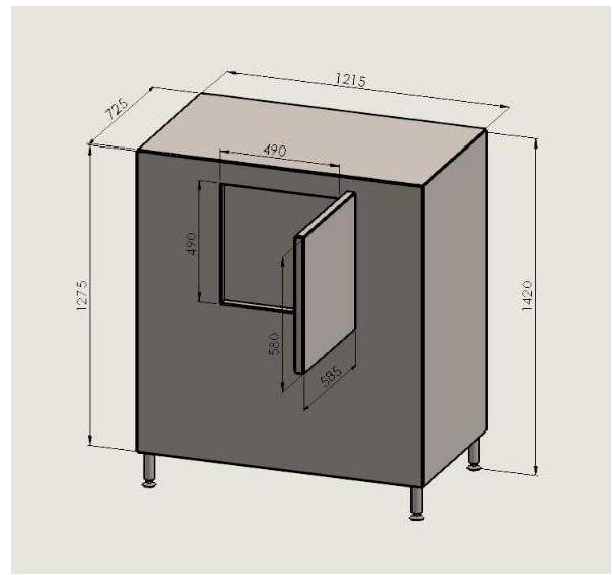


B500 ICE STORAGE BIN SPECIFICATION SHEET



STANDARD FEATURES

- 24V Polystyrene 40mm Insulation
- Magnetic sealing door
- Height Adjustable Foot Pieces
- Interior Sides: 304 Stainless Steel
- Inner Back: 304 Stainless Steel
- Inner Bottom: 304 Stainless Steel
- Inner Baffle Plate: 304 Stainless
- Exterior Front: 430 Stainless Steel
- Exterior Sides: 430 Stainless Steel
- Exterior Back: Galvanized Steel
- Exterior Bottom: Galvanized Steel
- 42mm Drain Outlet
- 400-480kg Storage Capacity*
- 1 Year Limited Warranty*
- Stainless Steel EN10204 Certified



Bin Model	Capacity		Modular Economy Cuber-Super Dice Cube-Ice machine		Super Flakers Ice Machine
	Kgs.	lbs.	NW1008	NW1008(3 Phase)	MF 56
B500	400-480*	880-1058*	•	•	•

*Storage depends on the ice type

*Warranty subject to factory inspection