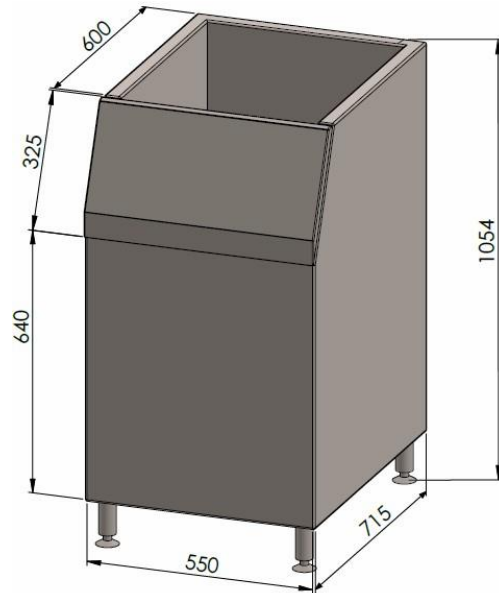


B150 ICE STORAGE BIN SPECIFICATION SHEET



STANDARD FEATURES

- 24V Polystyrene 40mm Insulation
- Magnetic sealing door
- Height Adjustable Foot Pieces
- Interior Sides: 304 Stainless Steel
- Inner Back: 304 Stainless Steel
- Inner Bottom: 304 Stainless Steel
- Inner Baffle Plate: 304 Stainless
- Exterior Front: 430 Stainless Steel
- Exterior Sides: 430 Stainless Steel
- Exterior Back: Galvanized Steel
- Exterior Bottom: Galvanized Steel
- 42mm Drain Outlet
- 125-150kg Storage Capacity*
- 1 Year Limited Warranty*
- Stainless Steel EN10204 Certified

Bin Model	Capacity		Modular Economy	Modular Super	Modular Super
	Kgs.	Ibs.	Cuber-Super Dice	Flakers	Cuber
			NW308	MF26	MXG328
B-150	125-150*	275-330*	•	•	•

*Storage depends on the ice type

*Warranty subject to factory inspection