

# LUXPOWER

Solar Panel Energy (Pty) Ltd  
204 Louis Trichardt Blvd  
Vanderbijlpark  
[www.sp-energy.co.za](http://www.sp-energy.co.za)

## Making your life better Lux Power off grid inverter



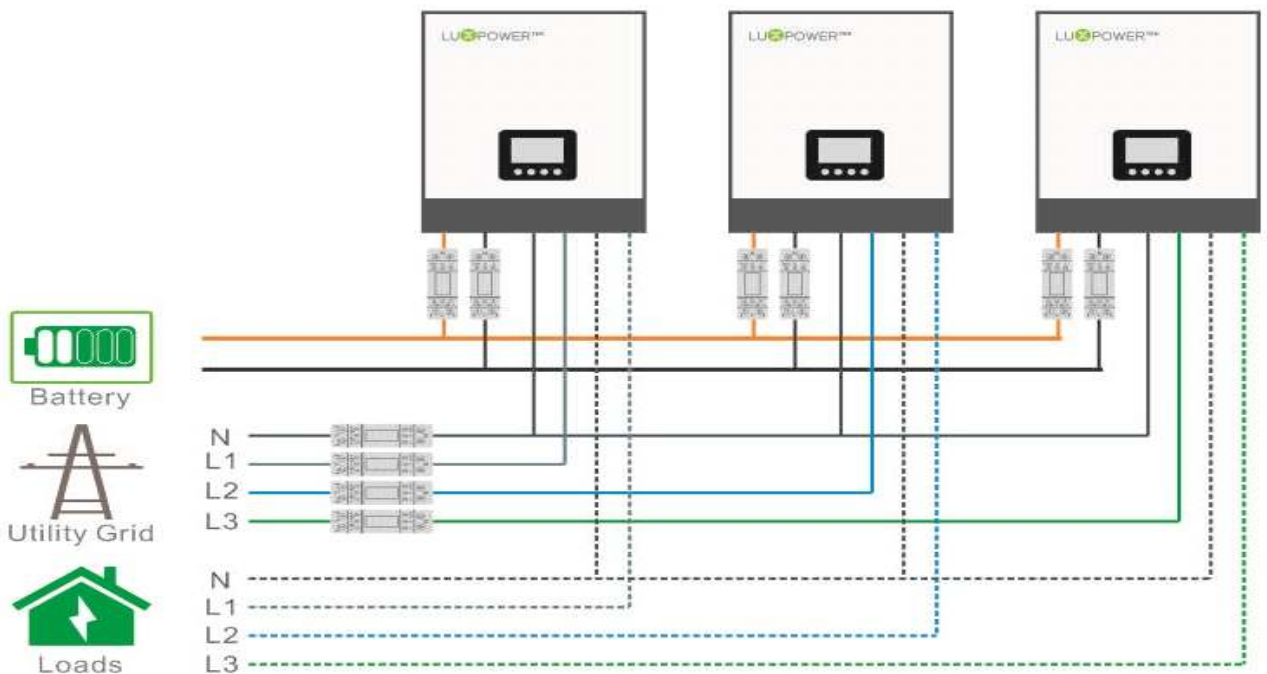
### FEATURES--Wireless Paralleling Function

10pcs or even more paralleling extend to 50kW.

Can connect battery as one big group bank or separately battery group; Keep same SOC for groups.

Do not require inverters to battery same cable length.

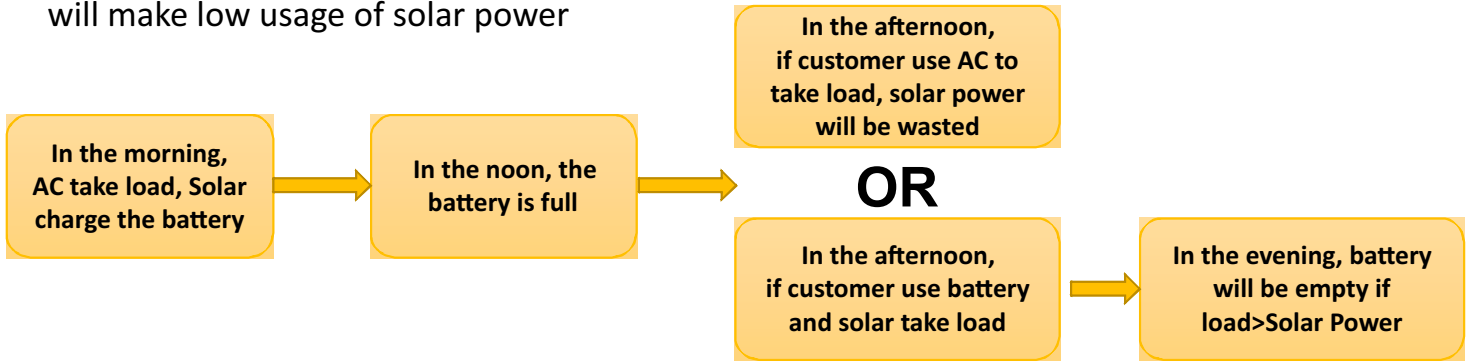
No current share cable, same easy communication cable connection



Output Data		SNA 5000
Rated Power		5000W/5000VA
Parallel Capacity		Yes
Nominal Output Voltage		230/240, Split phase 220/110Vac*
Nominal Output Frequency		50Hz/60Hz
Surge Power		10000VA
Switch Time		10ms
Waveform		Pure sine wave
Battery Data		
Battery Type		Lithium/Lead-Acid
Nominal Voltage		51.2V/48V
Max.Charge Voltage		59V
Solar Charge Data		
Max.Recommended PV Power		5000W
MPPT Tracker		2
Max.PV Open Circuit Voltage		145Vdc
MPPT Voltage Range		60-115Vdc
Max.Solar Charge Current		80A
Max.MPPT Efficiency		>98%
Parallel MPPT Charger		Yes
AC Charger Data		
Nominal Voltage		230Vac
AC Voltage Range		110-280Vac
Max.Charge Current		60A
Frequency Range		50Hz/60Hz(Auto Sensing)
General Data		
Dimensions(W/H/D)		330/504/135mm
Weight		14Kg
Protection Degree		IP20
Relatively Humidity		5%-95%Relative Humidity(No-condensing)
Operating Temperature		0-50℃
Storage Temperature		-15℃
Interfaces		
Display		LCD+LED
Lithium Battery Communication		CAN/RS485
RS485/Dry Connector		YES/YES
Wifi/GPRS		YES/YES
Warranty		2years

## FEATURES--Grid/Battery/PV Jointly Take the Load

- For traditional off grid inverter, load was taken either by battery/PV or by AC grid , which will make low usage of solar power



- For Sonar Off grid inverter, you can use PV and utility take load and keep battery full at the same time

## FEATURES--Independent Generator Input

- Independent generator input, free of ATS outside
- Flexiable control of generator
  - Battery level/battery voltage can be set to turn on the generator
  - Battery level/battery voltage can be set to turn off the generator



## FEATURES--Battery Management

- Support Pylon/Weco/Dyness/Aoboet/UFO Li-ion battery
- One cable connection, do not need any external box for Li-ion battery communication



- Support battery equalization function to active the battery periodically
- Support Battery wake up function